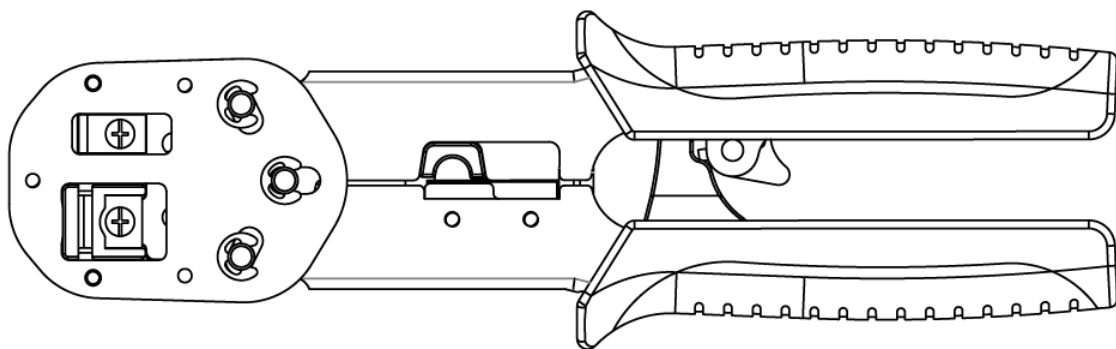


# Crimping Tool

## Passthrough Plug – RJ45 & RJ11

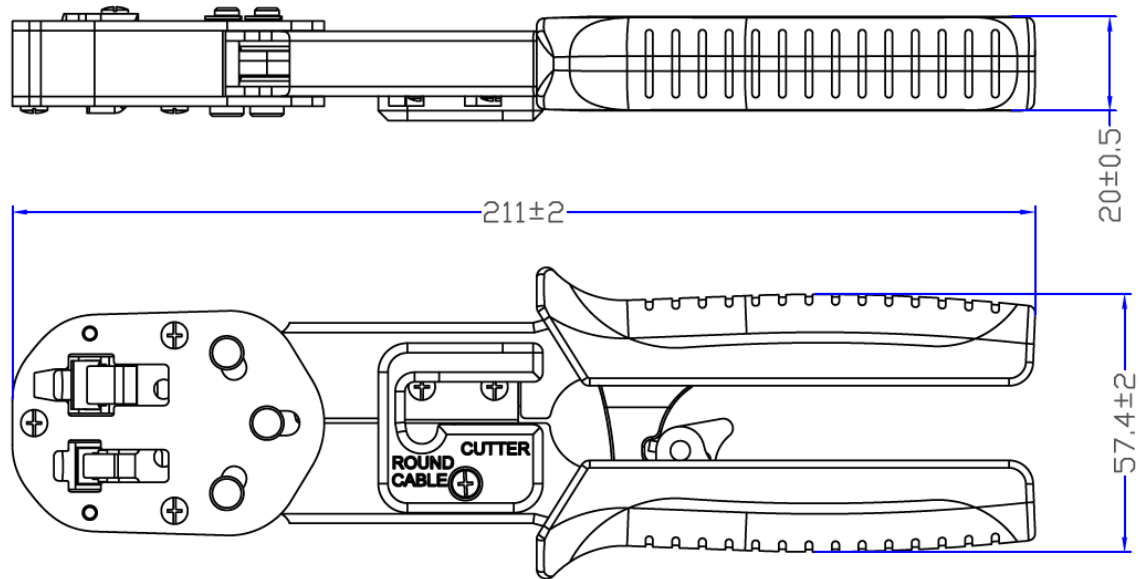


**Genius** Pass Through RJ45 / RJ11 Plug Crimping Tool is designed for precise and efficient RJ45 / RJ11 connector termination. Its front blade cleanly and accurately trims excess wire cores, while the single-step operation enables simultaneous crimping and wire trimming for faster installation. Ergonomic nonslip handles ensure comfortable and reliable use.

### Key Features

- Single-step crimping and wire trimming operation
- Front blade ensures clean and accurate excess core trimming
- Compatible with Pass Through RJ45 & RJ11 plugs
- Ergonomic non-slip handle for comfortable grip
- Suitable for Cat5e, Cat6 & Cat6A cable termination
- Latch & Lock Mechanism for Proper Crimping
- Includes one additional replacement blade set

## Product Schematic Diagram



## Ordering Information

Part Number	Product Description
GTURJUUPCXXX	Genius RJ45/RJ11 Passthrough Plug Crimping Tool