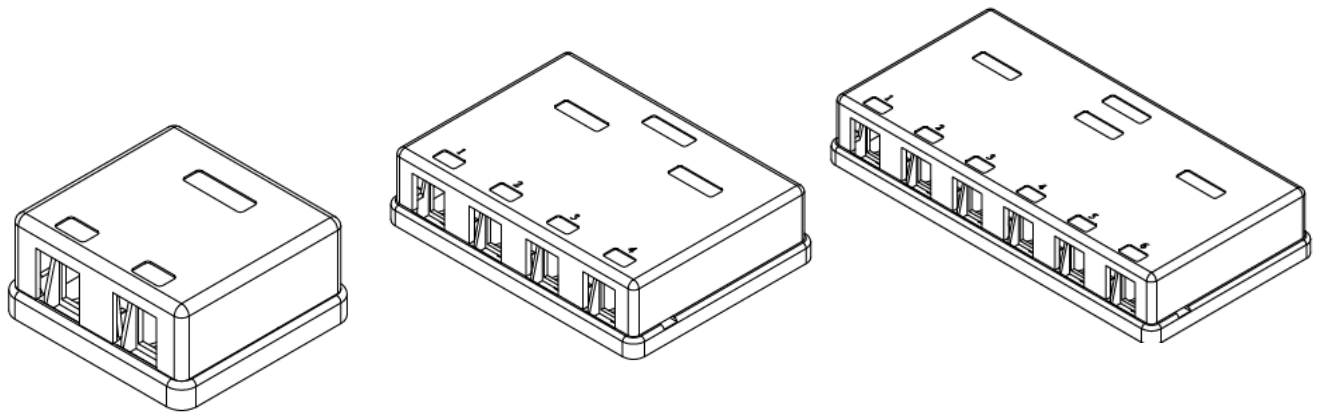


Surface Mount BOX

Unloaded



Genius Surface Mount Box provides a compact and secure solution for structured cabling applications. Designed for easy wall mounting and Table mount installation for clean cable management, it is available in 2 Port, 4 Port, and 6 Port variants. Compatible with standard keystone jacks and inline couplers for various networking applications.

Key Features

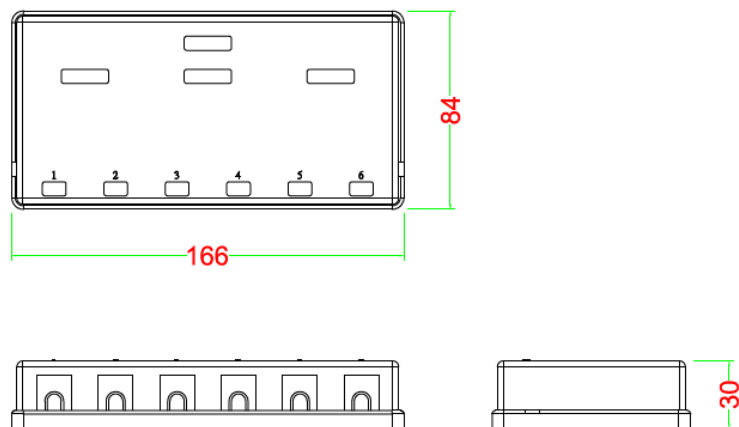
- Suitable for both wall mount and table mount applications
- Available in 2 Port, 4 Port, and 6 Port variants
- Compatible with standard keystone jacks and inline couplers
- Compact design for neat and organized cable management
- Supplied with mounting accessories for quick and easy installation
- Durable fire-retardant ABS construction for long-lasting performance

Product Specification

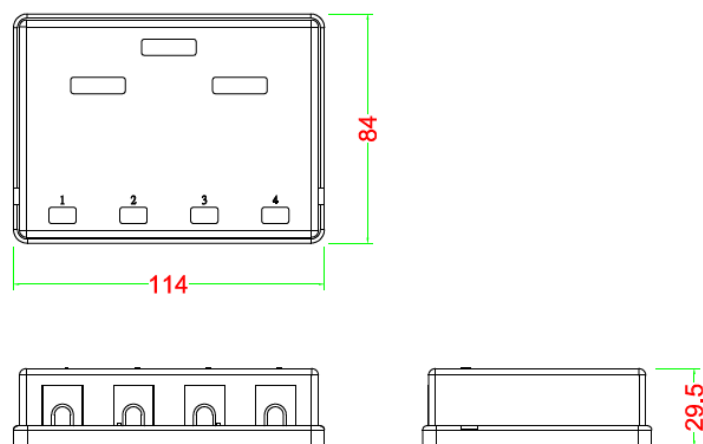
| | |
|-------------------------|--------------------------|
| Material | Fireproof ABS UL94V-0 |
| Color | White |
| Port Count | 2 Port / 4 Port / 6 Port |
| Operational Temperature | -40°C to 70°C |

Product Schematic Diagram

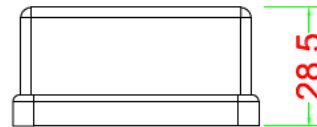
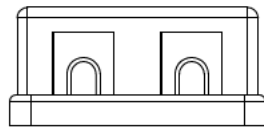
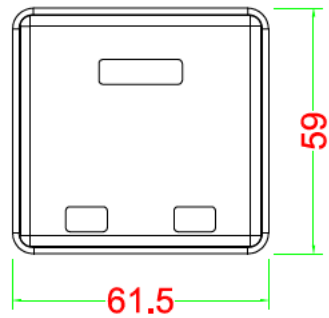
6 Port Surface Mount Box



4 Port Surface Mount Box



2 Port Surface Mount Box



Ordering Information

| Part Number | Product Description |
|--------------|---------------------------------------|
| GCUSMUTNSWHD | Genius Surface Mount Box White 2 port |
| GCUSMUTNSWHQ | Genius Surface Mount Box White 4 port |
| GCUSMUTNSWHH | Genius Surface Mount Box White 6 Port |